



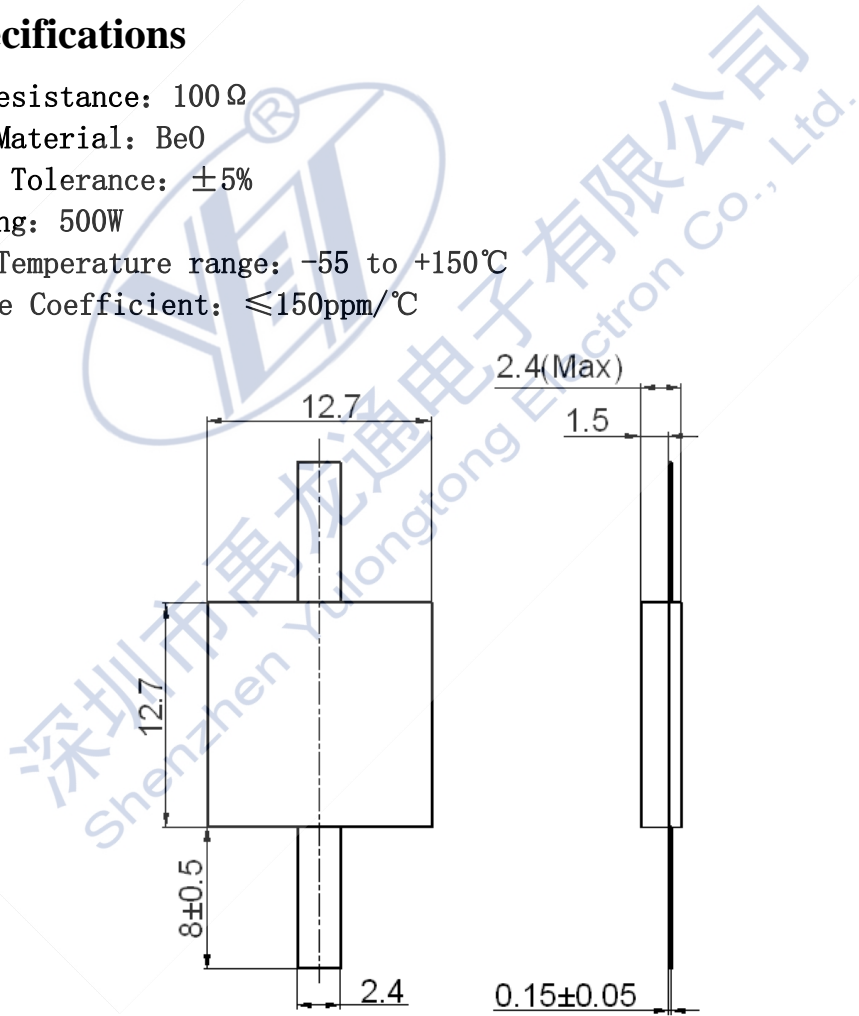
Leaded Chip Resistors

YULONGTONG ELECTRON CO.,LTD

Model: RFR100-500R2402A

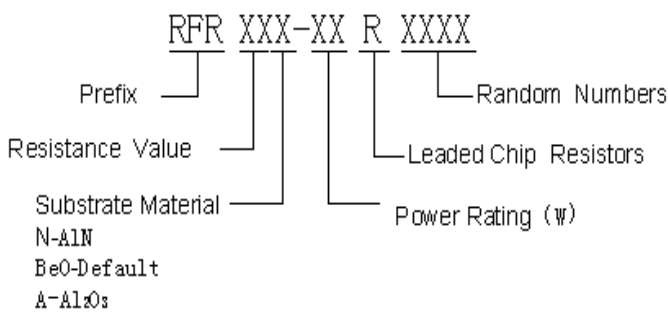
General Specifications

- ◆ Standard Resistance: 100 Ω
- ◆ Substrate Material: BeO
- ◆ Resistance Tolerance: ±5%
- ◆ Power Rating: 500W
- ◆ Operating Temperature range: -55 to +150°C
- ◆ Temperature Coefficient: ≤150ppm/°C

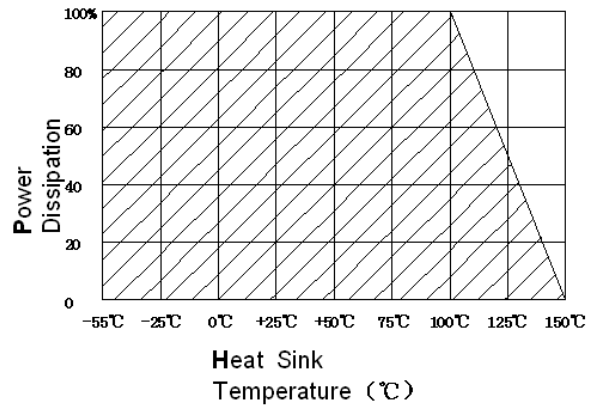


Other Unremarked Dimensions' Tolerance : ±0.25mm

Ordering Information



Power Derating



Tel: 86-755-26801033

web: www.yulongtong.com

email: yulongtong@vip.163.com