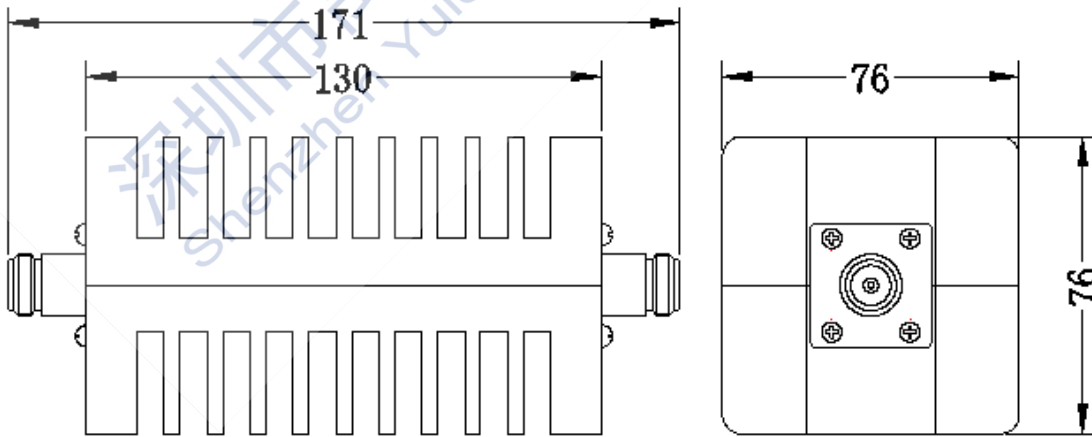




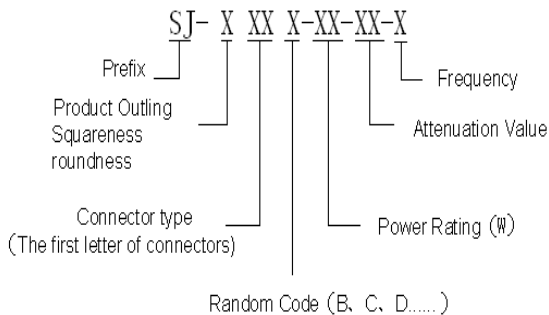
SPECIFICATIONS

- ◆ Frequency range: DC-10GHz
- ◆ VSWR: 1.40: 1 Max
- ◆ Attenuation value: 30dB
- ◆ Attenuation Tolerance: ± 1.0 dB
- ◆ Power Rating: 100W
- ◆ Impedance: 50 Ω
- ◆ Connector: NK-NK (Directional input)
- ◆ Dimension: 130 \times 76 \times 76
- ◆ Operating temperature range: -55 to 125 $^{\circ}$ C



Dimension:mm Dimensions tolerance : $\pm 2\%$

Ordering Information



power derating graphs

