



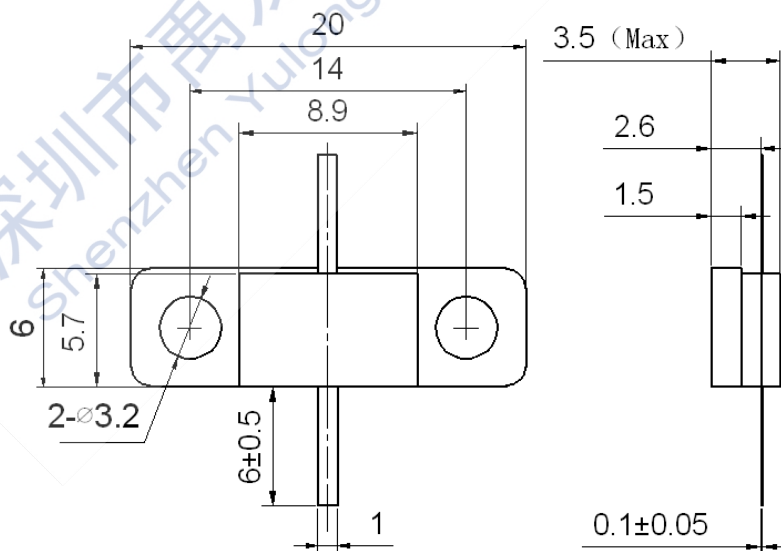
Flange Mount Attenuators

Shen Zhen Yulongtong Electron Co.,LTD

Model: RFR6N-20ABR4501A

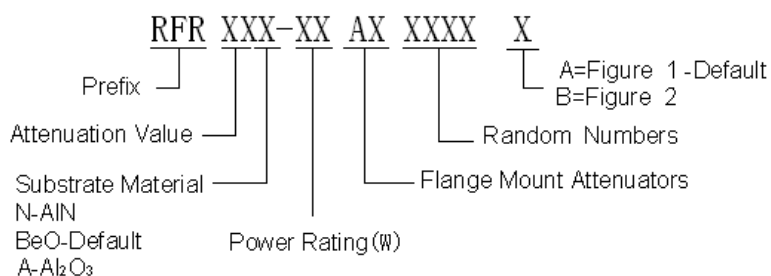
General Specifications

- ◆ Standard Resistance: 50 Ω
- ◆ Power Rating: 20W
- ◆ Substrate Material: ALN
- ◆ Attenuation Value: 6dB
- ◆ Attenuation Tolerance: ± 0.5 dB
- ◆ Frequency: DC-1.3GHz
- ◆ VSWR: $\leq 1.20: 1$
- ◆ Peak Power: 400W
- ◆ Operating Temperature range: -55 to +150°C
- ◆ Temperature Coefficient: ≤ 150 ppm/°C
- ◆ RoHS Compliant

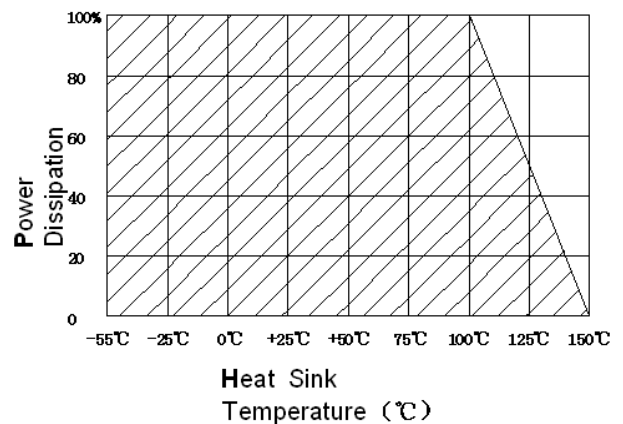


Other Unremarked Dimensions' Tolerance : ± 0.25 mm

Ordering Information



Power Derating



Tel: 86-755-26801033

web: www.yulongtong.com

email: yulongtong@vip.163.com