



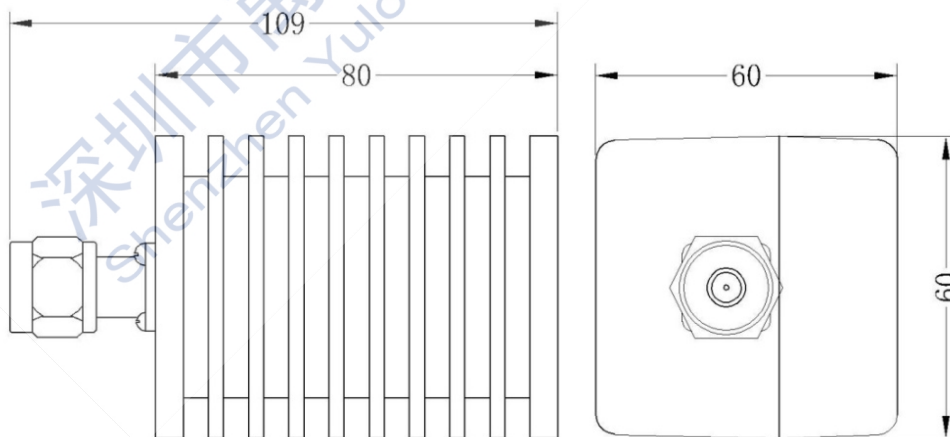
Mismatch Terminations

Shen Zhen Yulongtong Electron Co.,LTD

Model: SDF-SNW-50-1050-1.5

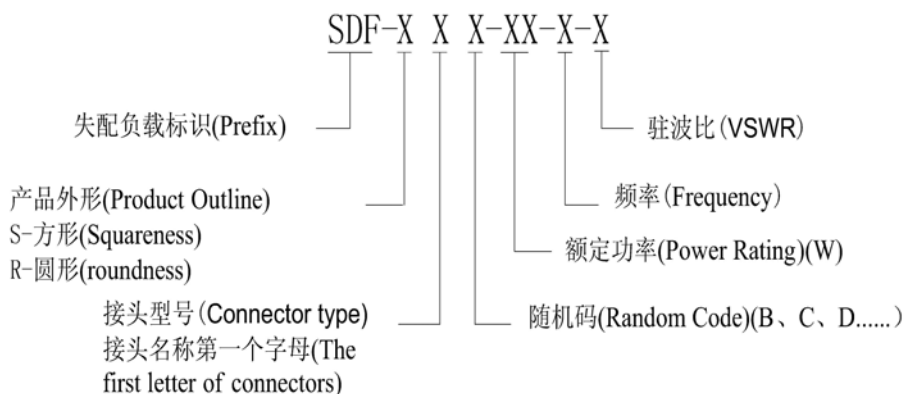
Specifications

- ◆ Frequency Range: 950-1050MHz
- ◆ VSWR: 1.5
- ◆ VSWR accuracy: $\pm 5\%$
- ◆ Impedance: 50 Ohms
- ◆ Power Rating: 50W
- ◆ Connector: N male
- ◆ Temperature Range: $-55^{\circ}\text{C} \sim +85^{\circ}\text{C}$
- ◆ Dimension: $80 \times 60 \times 60$
- ◆ Weight: 390g



Dimension:mm Dimensions tolerance : $\pm 2\%$

Ordering Information



Tel: 86-755-26801033

Fax:86-755-26832033

web:www.yulongtong.com/en

email: yulongtong@vip.163.com

编制/日期:

审核/日期:

批准/日期: