



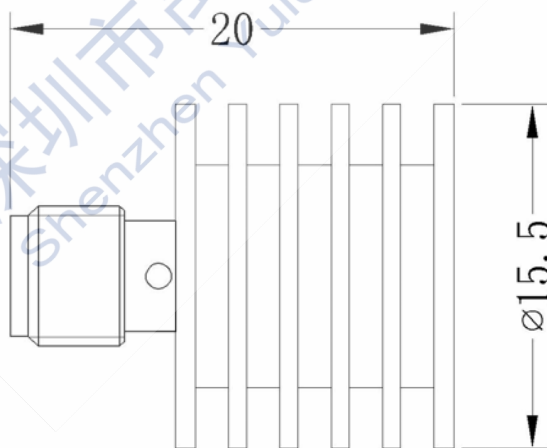
## Coaxial Load

Shen Zhen Yulongtong Electron Co.,LTD

Model: DF-RSX-5-18

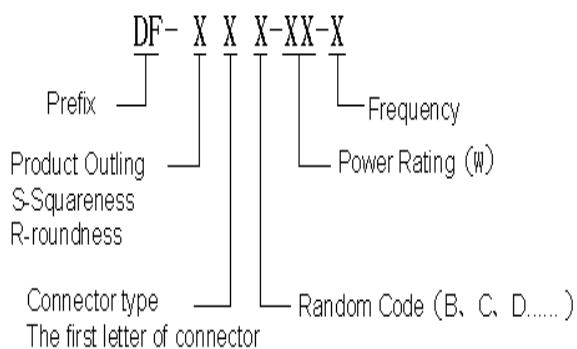
### Specifications

- ◆ Frequency Range: DC-18GHz
- ◆ VSWR: 1.20: 1 Max
- ◆ Impedance: 50 Ohms
- ◆ Power Rating: 5W
- ◆ Connector: SMA Female
- ◆ Dimension:  $\phi 15.5 \times 20$
- ◆ Temperature Range:  $-55^{\circ}\text{C} \sim +125^{\circ}\text{C}$

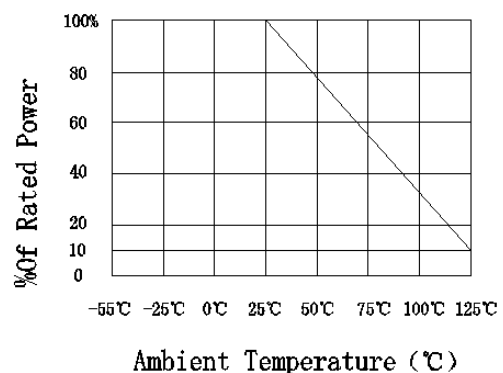


Dimension:mm Dimensions tolerance : $\pm 2\%$

### Ordering Information



### power derating graphs



Tel: 86-755-26801033

Fax:86-755-26832033

web:www.yulongtong.com

email: yulongtong@vip.163.com